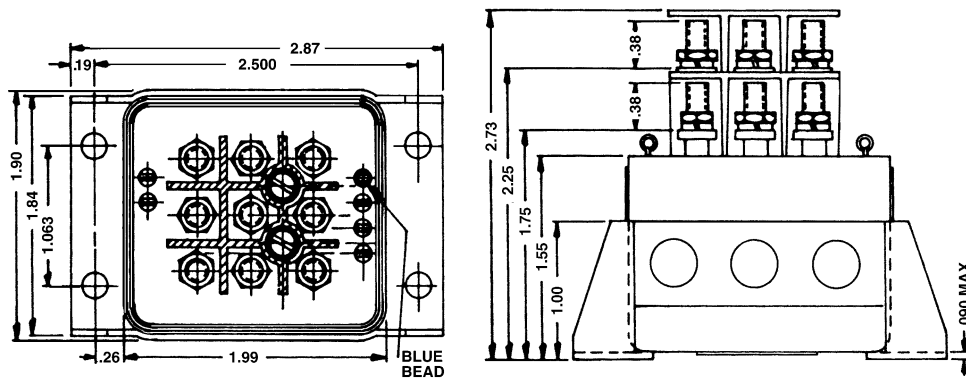


# N-415A-1 3PDT, Double Break, 30 Amps, 115/200 VAC, 400 Hz

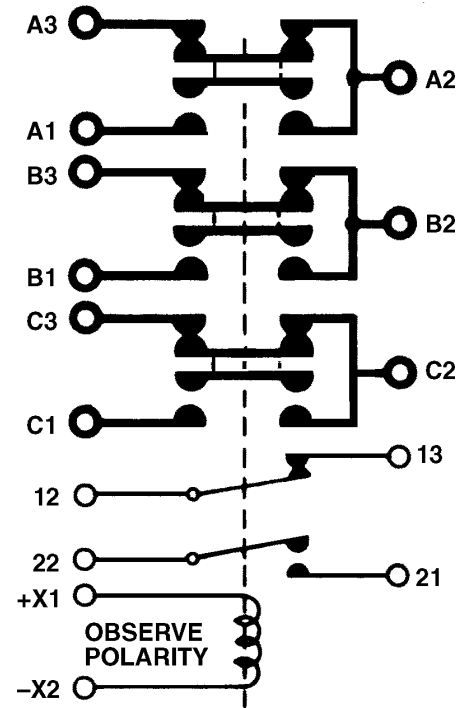
**Features:**

- 3PDT Double Break Main Contacts
- Hermetically Sealed
- 115/200 VAC, 400 Hz
- 30 Amps
- High Reliability
- Meets many requirements of MIL-R-6106



Dimensions for this product are expressed in inches. Multiply values by 25.4 for millimeters.

**CONTACTOR CONFIGURATION**



Notes:

PRODUCT SPECIFICATIONS	
Construction	Welded Hermetic Seal
Main Contacts:	
Configuration	3PDT Double Break
Voltage (Nominal)	115/200 VAC, 400 Hz
Current (Resistive)	30 Amps
Auxiliary Contacts:	
Configuration	SPST N.O., SPST N.C.
Voltage (Nominal)	28 VDC
Current	
Resistive	5 Amps
Inductive	2 Amps
Lamp	0.5 Amps
Coil Data:	
Duty Cycle	Continuous
Voltage (Nominal)	28 VDC
Pick-Up Voltage	20 VDC at 125°C
Drop-Out Voltage	1.5 - 7 VDC
Coil Current @ 28 VDC & +25°C	0.17 Amps Maximum
Operating Temperature	-70°C to +125°C
Life:	
Electrical	50,000 Cycles
Mechanical	100,000 Cycles
Weight	.75 Lb.

For factory-direct application assistance, contact the HARTMAN product team at (419) 521-9500, Fax (419) 526-2749.

© 2004 by Tyco Electronics Corporation. All Rights Reserved. HARTMAN and TYCO are trademarks.